

User manual

CIFX M3042100BM-DP\F
PC cards PCI Express M.2 3042 B-M PROFIBUS DP



Hilscher Gesellschaft für Systemautomation mbH
www.hilscher.com

DOC210302UM03EN | Revision 3 | English | 2023-06 | Released | Public

Table of contents

1	Introduction	4
1.1	About the user manual	4
1.2	List of revisions	4
2	Devices and accessories	5
2.1	Basic card CIFX M3042100BM	6
2.2	Detached network interface AIFX-DP	7
2.3	Product software	7
2.4	Revision or version statuses of the hardware and software	8
2.5	Device label with matrix code	9
3	Safety	10
3.1	General note	10
3.2	Intended use	10
3.3	Personnel qualification	10
3.4	Safety messages	11
3.4.1	Hazardous voltage, electric shock	11
3.4.2	Personal injury, device damage due to hot swap/hot plug	11
3.5	Property damage	12
3.5.1	Excessive supply voltage	12
3.5.2	Excessive signaling voltage	12
3.5.3	Electrostatic sensitive devices	12
3.5.4	Power drop during write and delete accesses in the file system	13
3.5.5	Exceeding the maximum number of permitted write and delete accesses	13
3.6	Information and data security	13
4	Installing the hardware	14
4.1	System requirements	14
4.2	Requirements for operation	16
4.3	Overview installation and firmware download	17
4.4	Installation warnings	18
4.5	Install hardware	20
4.6	Loading or updating the firmware and configuration in the device	21
4.7	Troubleshooting information	22
4.8	Uninstall the hardware	23
4.9	Disposal and recycling of waste electronic equipment	24
5	Diagnosis with LEDs	25
5.1	Overview	25
5.2	System LED	25
5.3	PROFIBUS DP Master	26
5.4	PROFIBUS DP Slave	27
6	Connectors	28
6.1	PROFIBUS interface	28

6.2	Cabel connector fieldbus X701, on CIFX M3042100BM.....	28
6.3	Cable connector fieldbus X1, AIFX-DP	29
6.4	PCI Express M.2 bus	30
7	Technical data	32
7.1	PC card CIFX M3042100BM-DP\F	32
7.2	PCI identifier on the PCI Express M.2 bus.....	33
7.3	AIFX-DP	34
7.4	Communication protocols.....	35
7.4.1	PROFIBUS DP Master.....	35
7.4.2	PROFIBUS DP Slave.....	36
8	Dimensions.....	37
8.1	Tolerances of PCB dimensions.....	37
8.2	Dimensions CIFX M3042100BM.....	38
8.3	Dimensions AIFX-DP	39
9	Appendix.....	40
9.1	FCC compliance.....	40
9.2	References.....	41
9.3	Conventions in this manual	43
9.4	Legal notes.....	44
9.5	Registered trademarks	48
9.6	Licenses	48
	Glossary.....	51
	Contacts.....	52

1 Introduction

1.1 About the user manual

This user manual for your PC card CIFX M3042100BM-DP\F PROFIBUS DP provides information on the following topics:

- Hardware description,
- installation of the hardware and
- firmware download.

Further information on how to download the firmware, as well as descriptions about configuration and diagnosis of your device can be found in separate operating instruction manuals.

1.2 List of revisions

Index	Date	Changes
1	2021-06-29	Document created.
2	2023-03-29	UKCA added, in section <i>PC-Karte CIFX M3042100BM-DP\F</i> [▶ page 32], and in section <i>AIFX-DP</i> [▶ page 34]. Section <i>Cable connector fieldbus X1, AIFX-DP</i> [▶ page 29] added. Section <i>Disposal and recycling of waste electronic equipment</i> [▶ page 24] updated.
3	2023-06-23	Basic card CIFX M3042100BM RE of hardware revision 3 added. Section <i>PCI Express M.2 bus</i> [▶ page 30] updated (Pin 10: BOOT).

Table 1: List of revisions

2 Devices and accessories

The PC card CIFX M3042100BM-DP\F is a communication interface from Hilscher based on the communication controller netX 100 and consists of a basic card that is equipped with a detached network interface.

PC card	Description of the basic card	Detached network interface
CIFX M3042100BM-DP\F	Communication Interface M.2 3042 Key B+M: CIFX M3042100BM	PROFIBUS: AIFX-DP (with DSub socket, 9-pin)
	Type (according to the PCI Express M.2 specification): 3042 (=30x42 mm), Keys: B and M	
	PCI Express slot (3.3 V) , for M.2 type 3042-D3, Dual key B-M (Socket 1 Connectivity)	

Table 2: PC card cifX

Product family	Card format and size	netX	Key	Network	Cable
CIFX	M 3042	100	BM	-DP	\F

Table 3: Meaning of the device name

The use refers to Master and Slave systems. With loaded PROFIBUS DP Master firmware, the PC card cifX performs the PROFIBUS DP Master communication, with loaded PROFIBUS DP Slave firmware, the PC card cifX performs the PROFIBUS DP Slave communication. Data is exchanged between the connected devices and the PC or connection device via the Dual-Port Memory.

2.1 Basic card CIFX M3042100BM

In the following illustration with legend you can recognize the device elements significant for installation and operation each by a number.

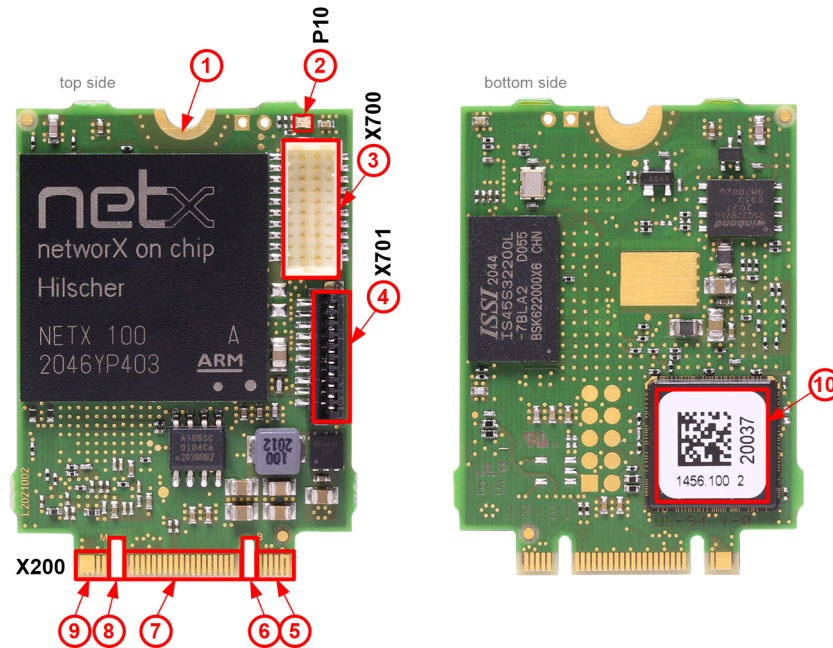


Figure 1: Basic card CIFX M3042100BM

No.	Description
(1)	Hole (with ground contact) for mounting the PC card
(2)	System LED (yellow/green)
(3)	Cable connector Ethernet (X700, 20-pin)
(4)	Cable connector fieldbus (X701, 10-pin)
(5)	PCI Express M.2 bus, pin 1 to pin 11
(6)	PCI Express M.2 bus, pin 12 to pin 19 (key B)
(7)	PCI Express M.2 bus, pin 20 to pin 58
(8)	PCI Express M.2 bus, pin 59 to pin 66 (key M)
(9)	PCI Express M.2 bus, pin 67 to pin 75
(10)	Matrix label

Table 4: Legend for the basic card CIFX M3042100BM

2.2 Detached network interface AIFX-DP

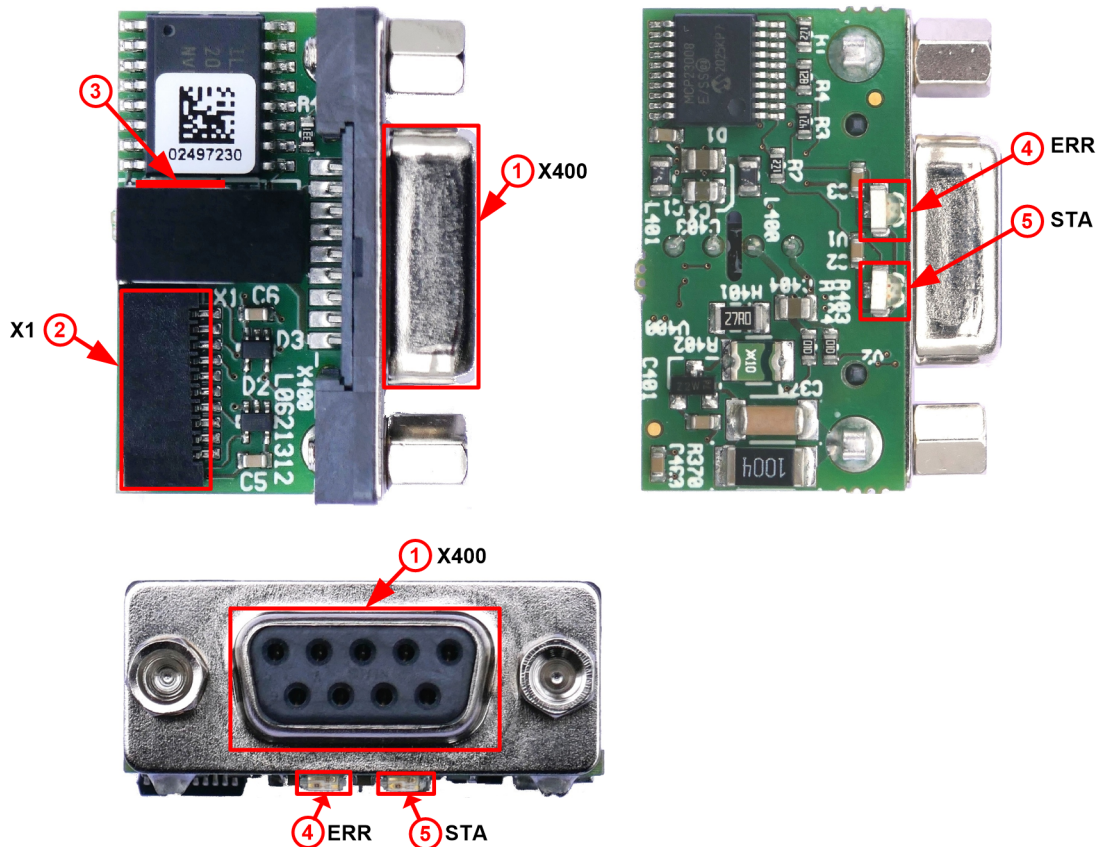


Figure 2: Detached network interface AIFX-DP (Revision 2)

No.	Description
(1)	PROFIBUS interface, DSub socket (X400)
(2)	Cable connector fieldbus (X1, 10-pin)
(3)	Mini matrix label (on the side of U401)
(4)	ERR :LED error status (red)
(5)	STA : LED status (green)

Table 5: Legend for the detached network interface AIFX-DP

2.3 Product software

All the information and software you need for your product can be downloaded free of charge at the web-link

<https://kb.hilscher.com/display/CARDS/>.

- Select the link for the current release for the Communication Solution DVD.

After the download, you can start commissioning and configuring your device immediately.

- Check our website regularly for software updates for your product.

2.4 Revision or version statuses of the hardware and software

The hardware revisions listed below, as well as the driver, software and firmware versions belong together functionally. If a hardware installation is available, the driver and the firmware must be updated according to these specifications.

Device name	Description	Part no.	Hardware revision
CIFX M3043100BM-DP\F	Communication interface M.2 3042 key B+M PROFIBUS DP, CIFX M3043100BM basic card and AIFX-DP	1456.401	-
CIFX M3043100BM	Basic card	1456.100	3
AIFX-DP	Detached network interface PROFIBUS	2800.400	2

Table 6: Hardware revisions

Drivers and software	Name	Version
Device driver	cifX Device Driver	2.5
Configuration software	SYCON.net for netX	1.0500
	cifX TCP/IP Server for SYCON.net	2.6
Developer tools	Driver Toolkit	2.6

Table 7: Versions for drivers and software

Protocol	File name	Firmware version
PROFIBUS DP Master	cifxdpm.nxf	2.8
PROFIBUS DP Slave	cifxdps.nxf	2.11

Table 8: Firmware version and file names for permitted protocols



Note:

Unless otherwise stated, the firmware version in this manual is the same as the stack version.

2.5 Device label with matrix code

You can identify your device by means of the device label.

**Note:**

The position of the device label on your device is indicated in the device overview.

The device label consists of a matrix code and the information contained therein in plain text.

The 2D code (Data Matrix Code) contains the following information:

- ① Part number: 1234.567
- ② Hardware revision: 1
- ③ Serial number: 20000

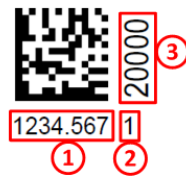


Figure 3: Example 2D label

3 Safety

3.1 General note

The documentation in the form of a user manual, an operating instruction manual or other manual types, as well as the accompanying texts, have been created for the use of the products by qualified personnel. When using the products, all Safety Messages, Integrated Safety Messages, Property Damage Messages and all valid legal regulations must be obeyed. Technical knowledge is presumed. The user has to assure that all legal regulations are obeyed.

3.2 Intended use

With the PC card CIFX M3042100BM-DP\F, PROFIBUS DP Master communication or PROFIBUS DP Slave communication can be implemented if the corresponding firmware is loaded. For the permissible firmware versions, see the section *Revision or version statuses of the hardware and software* [▶ page 8].

3.3 Personnel qualification

The PC card may only be installed, configured, operated or uninstalled by qualified personnel. Job-specific technical skills for people professionally working with electricity must be present concerning the following topics:

- Safety and health at work
- Mounting and connecting of electrical equipment
- Measurement and Analysis of electrical functions and systems
- Evaluation of the safety of electrical systems and equipment
- Installing and configuring IT systems

3.4 Safety messages

3.4.1 Hazardous voltage, electric shock

Danger to life or risk of injury by electric shock may occur if you open the housing of your PC (or connection device) to install your PC card.

- **Hazardous voltages** are present in the PC (or connection device) for mounting. Always read and observe the safety instructions of the PC manufacturer before installation.
- First disconnect the power plug of the PC (or connection device), before opening the housing.
- Make sure that the power supply is off at the PC (or connection device).
- Only then open the housing and install or remove the PC card.

3.4.2 Personal injury, device damage due to hot swap/hot plug

The PC card is not designed or intended for a hot-swap or hot-plug connection. Performing hot-swap or hot-plug may pose a hazard to the PC card, the system platform and the person performing the action.

3.5 Property damage

3.5.1 Excessive supply voltage

The PC card may only be operated with the prescribed supply voltage, which corresponds to the tolerances specified in this manual. The limits of the permitted range must not be exceeded.

Device damage, malfunctions

- If the supply voltage is above the specified upper limit, this can lead to serious damage to the PC card!
- If the supply voltage is below the specified lower limit, malfunctions of the PC card may occur.

3.5.2 Excessive signaling voltage

All I/O signal pins on the PC card tolerate only the specified signal voltage, as specified in this manual.

Device destruction

Operating your PC card at a signal voltage that exceeds the specified signal voltage can cause serious damage to the PC card!

3.5.3 Electrostatic sensitive devices

This equipment is sensitive to electrostatic discharge which cause internal damage and affect normal operation. Therefore adhere to the necessary safety precautions for components that are vulnerable with electrostatic discharge if you install or replace your device. Follow the guidelines listed hereafter when you handle this equipment:

- Touch a grounded object to discharge potential static.
- Wear an approved grounding wriststrap.
- Do not touch connectors or pins on the PC card.
- Do not touch circuit components inside the equipment.
- If available, use a static-safe workstation.
- When not in use, store the equipment in appropriate static-safe packaging.

3.5.4 Power drop during write and delete accesses in the file system

The FAT file system in the netX firmware is subject to certain limitations in its operation. Write and delete accesses in the file system (firmware update, configuration download etc.) can destroy the FAT (File Allocation Table) if the accesses cannot be completed if the power drops. Without a proper FAT, a firmware may not be found and cannot be started.

- Make sure that the power supply of the device does not drop during write and delete accesses in the file system (firmware update, configuration download etc.).

3.5.5 Exceeding the maximum number of permitted write and delete accesses

This device uses a serial flash chip to store remanent data such as firmware storage, configuration storage, etc. This device allows a maximum of 100,000 write/delete accesses that are sufficient for standard operation of the device. However, writing/deleting the chip excessively (e.g. changing the configuration or changing the name of station) leads to the maximum number of permitted write/delete accesses being exceeded and to device damage. For example, if the configuration is changed once an hour, the maximum number is reached after 11.5 years. If the configuration is changed even more frequently, for example once a minute, the maximum number is reached after approx. 69 days.

Avoid exceeding the maximum permitted write/delete accesses by writing too often.

3.6 Information and data security

Take all usual measures for information and data security, in particular, for PC cards with Ethernet technology. Hilscher explicitly points out that a device with access to a public network (Internet) must be installed behind a firewall or only be accessible via a secure connection such as an encrypted VPN connection. Otherwise, the integrity of the device, its data, the application or system section is not safeguarded.

Hilscher cannot assume any warranty or liability for damage due to neglected security measures or incorrect installation.

4 Installing the hardware

4.1 System requirements

In order to install your PC cards cifX, you need a PC or a connection device with a PCI Express M.2 slot (host interface) for mounting the PC card.

Host interface

PC card	Type	Supply voltage (1)	Power consumption (2)	Signal voltage (3)
CIFX M3042100BM-DP\F	PCI Express slot (3.3 V), for M.2 type 3042-D3, Dual key B-M (Socket 1 Connectivity)	+3.3 VDC $\pm 5\%$	See section <i>PC card CIFX M3042100BM-DP</i> \F [▶ page 32].	PCIe compatible

Table 9: Host interface requirements

Comments:

(1) Required or permissible supply voltage

(2) Typical current consumption at 3.3 V. The typical current consumption depends on the type of PC card. To ensure compatibility between different systems, it is recommended to supply a maximum of 1 A (at +3.3 VDC $\pm 5\%$).

(3) Required or tolerated signal voltage at the I/O signal pins on the PCIe bus of the PC card

Host system

The basic card CIFX M3042100BM uses a netX 100 chip.

Mounting the basic card

In order to mount the basic card, the board on which the PCI Express slot is located must have a corresponding mounting bolt for screwing the basic card on. The dimension for positioning the mounting bolt can be taken from the dimension drawing for the basic card provided in this manual.

Operating system

For SYCON.net for netX: Windows® 10

Component heights

- The component height on the top of the basic card CIFX M3042100BM exceeds the height of 1.5 mm specified by the standard, because the height of the cable connectors (Ethernet X700, or fieldbus X701), including the cable, is approximately 8.5 mm above the circuit board.
- The component height on the bottom of the basic card CIFX M3042100BM complies with the standard specifications.

Panel dimensioning

- **Panel cut-outs and holes for mounting AIFX**

To mount the detached network interface PROFIBUS, the required panel cut-outs for the communication status LEDs and the PROFIBUS socket, as well as the holes for mounting the AIFX, must be available on the housing of the PC or connection device.

Panel cut-outs	The layout for the panel cut-outs must be sufficiently dimensioned for: <ul style="list-style-type: none"> • The PROFIBUS interface, DSub socket • The STA and ERR communication LEDs
Drill holes	2, at a distance of 25.0 mm
Further information	The dimensions for the required panel cut-outs or the distance of the holes can be found in the dimension drawing for the AIFX, see section <i>Dimensions AIFX-DP</i> [▶ page 39].

Table 10: Panel cut-outs and holes for mounting AIFX

- **The width of the front panel**

When dimensioning the front panel, note the width of the front panel specified in section *AIFX-DP* [▶ page 34] .

4.2 Requirements for operation

The following described requirements must be fulfilled when operating the PC card.

Requirements	Specification	See section
Hardware installation	Operating the PC card CIFX M3042100BM-DP\F requires proper connection of the detached network interface PROFIBUS AIFX-DP to the basic card.	-
Communication	<p>For communication of a PC card (slave), a master device is required for the communication system used. For communication of a PC card (master), a slave device is required for the communication system used.</p> <p>To configure the master device, you need a device description file for the slave used with the name for:</p> <ul style="list-style-type: none"> • PROFIBUS Slave: HIL_0B69.GSD <p>The settings in the used master must match the settings in the slave.</p>	-
Software installation	<p>cifX Device Driver as the driver for the host interface (latest version of the driver).</p> <p>SYCON.net for netX for configuring and diagnosing netX 100-based devices, as well as software for downloading or updating the firmware and configuration, and for setting the device driver.</p>	<p><i>Revision or version statuses of the hardware and software</i> [▶ page 8] and <i>References</i> [▶ page 41] (Driver and software documentation)</p>
Firmware download	<p>The user must select the firmware using the SYCON.net for netX software and download it to the PC card. The firmware contains a communication protocol.</p>	
Parameter settings	<p>The PC card must be parameterized using the SYCON.net for netX configuration software.</p>	

Table 11: Requirements for operation

4.3 Overview installation and firmware download

Below you find an overview of the steps to install the hardware, driver and firmware for your PC card CIFX M3042100BM-DP\F:

Step	Description	Further information
Downloading installation files	<ul style="list-style-type: none"> Download the installation files from the Hilscher website for: <ul style="list-style-type: none"> - cifX Device Driver (latest version) - SYCON.net for netX Save the installation files to the local hard disk of your PC. 	<i>Revision or version statuses of the hardware and software</i> [▶ page 8]
Install drivers and software	<ul style="list-style-type: none"> Double-click the appropriate installation file to open the startup menu. Start the installation from the home screen and follow the instructions in the installation menu. 	
Install hardware	<ul style="list-style-type: none"> Take the protective measures and safety precautions for the hardware installation. Open the housing of the PC or connection device. Insert the basic card into the PCI Express slot and attach the basic card. Attach the detached network interface to the front panel of the PC. Connect the detached network interface to the basic card. Close the housing of the PC or connection device. 	<i>Install hardware</i> [▶ page 20]
Firmware and configuration download	<ul style="list-style-type: none"> Download the firmware as described in the SYCON.net for netX configuration software operating instruction manual. <p>The PC card cifX is now ready for operation and has yet to be configured.</p> <ul style="list-style-type: none"> Then download the configuration. 	<i>Loading or updating the firmware and configuration in the device</i> [▶ page 21]

Table 12: Overview for installation and firmware download



For detailed descriptions of how to install and operate the software, refer to the relevant operating instruction manual, section *References* [▶ page 41].

4.4 Installation warnings

When installing your device, observe the following warnings on possible personal injury, as well as the warnings on property damage.

WARNING!



Hazardous voltage!
Danger to life, risk of injury by electric shock

Hazardous voltages are present in the PC (or connection device).



- First disconnect the power plug of the PC (or connection device), before you open the housing.
- Make sure that the power supply is off at the PC (or connection device).

CAUTION

Personal injury, device damage due to hot swap/hot plug



The PC card is not designed or intended for a hot-swap or hot-plug connection.

Performing hot-swap or hot-plug may pose a hazard to the PC card, the system platform and the person performing the action.

NOTICE

Electrostatically sensitive devices



To prevent damage to the PC and PC card, make sure the PC card is grounded through the connection plate and PC, and make sure you are grounded when you install or uninstall the PC card.

Installation warnings (USA)

WARNING



Hazardous voltage! Danger to life, risk of injury by electric shock

Hazardous voltages are present in the PC (or connection device).



- First disconnect the power plug of the PC (or connection device), before you open the housing.
- Make sure that the power supply is off at the PC (or connection device).

CAUTION

Personal injury, device damage due to hot swap/hot plug

The PC card is not designed or intended for a hot-swap or hot-plug connection.

Performing hot-swap or hot-plug may pose a hazard to the PC card, the system platform and the person performing the action.

NOTICE

Electrostatically sensitive devices



To prevent damage to the PC and PC card, make sure the PC card is grounded through the connection plate and PC, and make sure you are grounded when you install or uninstall the PC card.

4.5 Install hardware

Install the PC card CIFX M3042100BM-DP\F in your PC or connection device as described below.

1. Preparation

Observe the requirements and prerequisites described in the sections *System requirements* [▶ page 14] and *Requirements for operation* [▶ page 16] .

2. Protective measures and safety precautions

⚠ WARNING Hazardous voltage! Danger to life, risk of injury by electric shock

- Disconnect the power plug of the PC (or connection device).
- Make sure that the power supply is off at the PC (or connection device).

⚠ CAUTION Personal injury, device damage due to hot-plug/hot-swap

- Do not "plug" or "unplug" the PC card during operation.

NOTICE Adhere to the necessary safety precautions for components that are vulnerable with electrostatic discharge.

- Make sure that the device is grounded via the endplate and the PC, and make sure that you are discharged when you install/uninstall the device.

NOTICE Device damage due to over torquing of the mounting screw

Do not over torque the screw used to mount the basic card to the board to prevent damage to the printed circuit board.

3. Installation

- Open the housing of the PC or connection device.
- Insert the basic card into the PCI Express slot.
- Screw the basic card onto the board. To do this, use the crescent-shaped hole on the top edge of the basic card. The ground contact via the screw head must be ensured.
- First, attach the detached network interface PROFIBUS AIFX-DP to the PC or connection device housing panel.
- Then connect the detached network interface PROFIBUS AIFX-DP to the basic card.
- To do this, first plug the cable into the cable connector fieldbus X1 on the AIFX-DP.

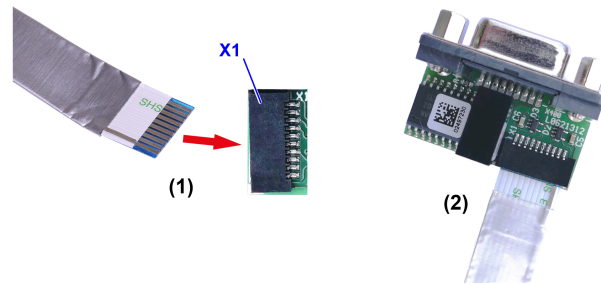


Figure 4: Connecting cable to the detached network interface fieldbus AIFX-DP

- Then plug the cable into the cable connector fieldbus X701 on the basic card.

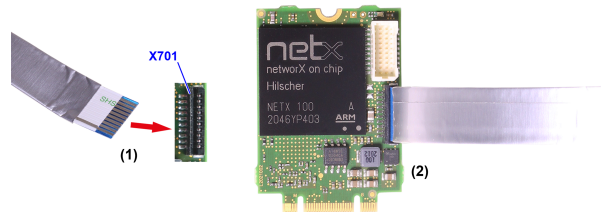


Figure 5: Connecting cable to the basic card, example CIFX M3042100BM

- Close the housing of the PC or connection device again.

4.6 Loading or updating the firmware and configuration in the device

- Download the firmware from the Hilscher website and save the firmware to your PC's local hard disk.
- If necessary, transfer the configuration to the PC. Create the configuration using an appropriate configuration software.
- Use **SYCON.net for netX** to load the firmware and configuration into the device, or update the firmware and configuration in your device.
- To download the firmware and configuration to your device, or to update, follow the instructions in the "SYCON.net for netX" configuration software operating instruction manual.



For the "SYCON.net for netX" configuration software operating instruction manual, see section *References* [▶ page 41].

4.7 Troubleshooting information

In case of an error or a malfunction of your PC card cifX, observe the following information for problem solving:

General

- Verify that the PC card is operating according to the information provided in this user manual.

SYS, ERR, and STA LEDs

You can troubleshoot the system by checking the behavior of the LEDs.

- The SYS LED (yellow/green) on the device indicates the general device status and can be switched on, off or blinks.
- The STA LED (green) and ERR LED (red) at the detached network interface PROFIBUS indicate the status of the device communication and may be permanently switched on or off, flash or they blink cyclically or acyclically.

If the SYS LED and the STA LED are static green, the PC card cifX is in the "in operation" state. The master device is in the data exchange with the connected slave devices. The slave device is in the state of cyclic communication with the connected master device. The communication between the master device and the slave device runs without interference.

Cable

- Check that the pin assignment of the cable used to connect the PC card (master) to the slave device or the PC card (slave) to the master device is correct.



For detailed descriptions of the behavior of the LEDs, refer to the chapter on the LEDs in this manual. For information about the device diagnostics and their functions, see the operating instruction manual of the configuration software for your device.

4.8 Uninstall the hardware

Uninstall the PC card CIFX M3042100-DP\F from the PC or connection device as described below.

1. Protective measures and safety precautions

⚠ WARNING Hazardous voltage! Danger to life, risk of injury by electric shock

- Disconnect the power plug of the PC (or connection device).
- Make sure that the power supply is off at the PC (or connection device).

⚠ CAUTION Personal injury, device damage due to hot-plug/hot-swap

- Do not "plug" or "unplug" the PC card during operation.

NOTICE Adhere to the necessary safety precautions for components that are vulnerable with electrostatic discharge.

- Make sure that the device is grounded via the endplate and the PC, and make sure that you are discharged when you install/uninstall the device.

2. Uninstallation

- Open the housing of the PC or connection device.
- Remove the detached network interface fieldbus from the basic card.
- To do this, remove the cable from the cable connector fieldbus X701 on the basic card and from the cable connector fieldbus X1 on the AIFX-DP.
- Loosen the screw that secures the basic card to the board.
- Remove the basic card from the PCI Express slot.
- Remove the detached network interface from the housing cover of the PC or connection device.
- Close the housing of the PC or connection device again.

4.9 Disposal and recycling of waste electronic equipment

Waste electronic equipment must be disposed of properly after the end of use.



Waste electronic equipment

This product must not be disposed of with household waste.

Dispose of this product in accordance with local regulations in your country.

When disposing of the product, observe the following:

- Observe national and local regulations for the disposal of waste electronic equipment and packaging.
- Delete personal data stored in the waste electronic device.
- Dispose of this product in an environmentally friendly manner at a local collection point for waste electronic equipment.
- Dispose of packaging in such a way that a high level of recycling is possible.

Alternatively, you can return our products to us for disposal. The prerequisite is that no additional foreign substances are contained. Before returning, please contact us via the Return Merchandise Authorization (RMA) form on www.hilscher.com.

In Europe, the directive 2012/19/EU waste electrical and electronic equipment applies. Different policies and laws may apply nationally.

5 Diagnosis with LEDs

5.1 Overview



Note:

The communication status LEDs on the device are determined by the loaded protocol firmware.

LED	PROFIBUS DP
System status	SYS Yellow/ green
Status device communication	STA Green
Error Status Device Error	ERR Red

Table 13: LEDs PROFIBUS DP

5.2 System LED

The system status LED **SYS** can assume the states described below.

LED	Color	State	Description
SYS	Duo LED yellow/green		
	(green)	On	Operating system is running.
	(green/ yellow)	Blinking	Second stage bootloader is waiting for firmware.
	(yellow)	On	Bootloader netX (= romloader) is waiting for second stage bootloader.
	(off)	Off	Power supply for the device is missing or hardware defect.

Table 14: States of the SYS LED, netX 10/50/51/52/100/500-based devices

5.3 PROFIBUS DP Master

For the PROFIBUS DP Master protocol, the communication status LEDs STA and ERR can assume the states described below. This description is valid from stack version V2.6.








LED	Color	State	Description
STA	Duo LED red/green		
	 (green)	On	Communication to all Slaves is established.
	 (green)	Flashing (5 Hz)	PROFIBUS is configured, but the bus communication is not yet released from the application.
	 (green)	Flashing, acyclic	No configuration or faulty configuration
	 (off)	Off	ERR LED is off: The device is not switched on or supply voltage is missing. ERR LED flashes or in "on" state: See descriptions ERR LED.
ERR	Duo LED red/green		
	 (red)	Flashing (5 Hz)	Communication to at least one Slave is disconnected.
	 (red)	On	Communication to all Slaves is disconnected or another serious error has occurred. Redundant Mode: The active Master was not found.
	 (off)	Off	No error: There is no error, respectively see description for STA LED.

Table 15: LED states for the PROFIBUS DP Master protocol

LED states	Definition
Flashing (5 Hz)	The LED turns on and off with a frequency of 5 Hz: "On" for 100 ms, followed by "Off" for 100 ms.
Flashing, acyclic	The LED turns on and off in irregular intervals.

Table 16: LED state definitions for the PROFIBUS DP Master protocol

5.4 PROFIBUS DP Slave

For the PROFIBUS DP Slave protocol, the communication status LEDs STA and ERR can show the states described below. This description is valid for stack version V2.7 and higher.








LED	Color	State	Description
STA	Duo LED red/green		
	 (green)	On	RUN, cyclic communication
	 (green)	Flashing, cyclic (2 Hz)	Master is in CLEAR state.
	 (off)	Off	ERR LED is off: The device is not switched on or supply voltage is missing. ERR LED flashes or in "on" state: See descriptions ERR LED.
ERR	Duo LED red/green		
	 (red)	Flashing, acyclic (1 Hz)	The device is not configured.
	 (red)	Flashing, cyclic (2 Hz)	STOP, no communication, connection error
	 (red)	On	Wrong PROFIBUS DP configuration
	 (off)	Off	No error: There is no error, respectively see description for STA LED.

Table 17: LED states for the PROFIBUS DP Slave protocol

LED states	Definition
Flashing, acyclic (1 Hz)	The LED turns on and off in irregular intervals, with a frequency of 1 Hz: "on" for 750 ms, followed by "off" for 250 ms.
Flashing, cyclic (2 Hz)	The LED turns on and off with a frequency of 2 Hz: "on" for 250 ms, followed by "off" for 250 ms.

Table 18: LED state definitions for the PROFIBUS DP Slave protocol

6 Connectors

6.1 PROFIBUS interface

Potential-free RS-485 interface:

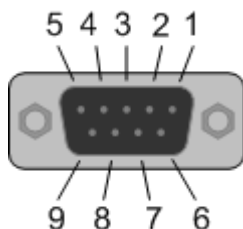


Figure 6: PROFIBUS interface (DSub socket connector, 9 pin), X201

Connection with DSub socket	Signal	Description
3	RxD/TxD-P	Receive/transmit data P or connection B on the socket
5	DGND	Data reference potential
6	VP	Positive supply voltage
8	RxD/TxD-N	Receive/transmit data-N or connection A on the plug

Table 19: Pin assignment of the PROFIBUS interface, X201

6.2 Cabel connector fieldbus X701, on CIFX M3042100BM

Pin assignment for cable connector fieldbus X701 (10FMN-BMT-A-TF) on the basic card CIFX M3042100BM, cable 10-pin fieldbus

Pin	Name	Description	Type
1	GND	Ground	Power
2	3V3	3.3V Power	Power
3	I2C_SCL	I2C clock signal	Output
4	I2C_SDA	I2C data signal	Input / Output
5	XM2_TX	Fieldbus transmit	Output
6	XM2_RX	Fieldbus receive	Input
7	XM2_IO0	Fieldbus input output 0	Input / Output
8	XM2_IO1	Fieldbus input output 1	Input / Output
9	RSTOUT#	Reset out	Output
10	-	(not used)	NC

Table 20: Pin assignment for cable connector fieldbus X701 (10FMN-BMT-A-TF), on CIFX M3042100BM

6.3 Cable connector fieldbus X1, AIFX-DP

Pin assignment for cable connector fieldbus X1, AIFX-DP, 10-pin cable

Pin	Name	Description	Type
1	GND	Ground	Power
2	3V3	3.3V Power	Power
3	I2C_SCL	I2C clock signal	Input
4	I2C_SDA	I2C data signal	Input / Output
5	TX	Fieldbus transmit	Input
6	RX	Fieldbus receive	Output
7	EN_PB	Enable PROFIBUS	Input / Output
8	-	(not used)	NC
9	RSTOUT#	Reset out	Input
10	-	(not used)	NC

Table 21: Pin assignment for cable connector fieldbus X1, AIFX-DP

6.4 PCI Express M.2 bus

The following table applies for pin assignment on the PCI Express M.2 bus of the PC card C1FX M3042100BM (basic card).

Pin	Name	Description	Type
1	GND	Return current path.	Power
2	3.3V	3.3V supply	Power
3	GND	Return current path.	Power
4	3.3V	3.3V supply	Power
5	NC	(not used)	-
6	NC	(not used)	-
7	USB_D+	USB data differential pair positive polarity	In / Out
8	NC	(not used)	-
9	USB_D-	USB data differential pair negative polarity	In / Out
10	BOOT	Reserved (vendor defined pin for production purposes only). <i>In hardware revision 1 and 2 pin 10 is not assigned.</i>	Input
11	NC	(not used)	-
12-19	-	KEY B	-
20	SYNC0	synchronisation pin for realtime systems	Output
21	GND	Return current path.	Power
22	SYNC1	synchronisation pin for realtime systems	Output
23-26	NC	(not used)	-
27	GND	Return current path.	Power
28-32	NC	(not used)	-
33	GND	Return current path.	Power
34-38	NC	(not used)	-
39	GND	Return current path.	Power
40	NC	(not used)	-
41	PETN0	PCIe TX/RX Differential signals defined by the PCI Express CEM Specification.	Output
42	NC	(not used)	-
43	PETP0	PCIe TX/RX Differential signals defined by the PCI Express CEM Specification.	Output
44	NC	(not used)	-
45	GND	Return current path.	Power
46	NC	(not used)	-
47	PERN0	PCIe TX/RX Differential signals defined by the PCI Express CEM Specification.	Input
48	NC	(not used)	-
49	PERP0	PCIe TX/RX Differential signals defined by the PCI Express CEM Specification.	Input
50	PERST#	PCIe Reset is a functional reset to the card as defined by the PCI Express Mini CEM Specification.	Input
51	GND	Return current path.	Power
52	CLKREQ#	PCIe Clock Request is a reference clock request signal as defined by the PCI Express Mini CEM Specification. This signal is also used by L1PM Substates. Open Drain with pull up on Platform. Active Low.	In / Out
53	REFCLKN	PCIe Reference Clock signals (100 MHz) defined by the PCI Express CEM Specification.	Input
54	PEWAKE#	PCIe WAKE#. Open Drain with pull up on Platform. Active Low when used as PEWAKE#. When the Adapter supports wakeup, this signal is used to request that the system return from a sleep/suspend state to service a function-initiated wake event. When the Adapter supports OBFF mechanism, the PEWAKE#signal is used for OBFF signaling.	In / Out
55	REFCLKP	PCIe Reference Clock signals (100 MHz) defined by the PCI Express CEM Specification.	Input
56	NC	(not used)	-
57	GND	Return current path.	Power
58	NC	(not used)	-

Pin	Name	Description	Type
59-66	-	KEY M	-
67-69	NC	(not used)	-
70	3.3V	3.3V supply	Power
71	GND	Return current path.	Power
72	3.3V	3.3V supply	Power
73	GND	Return current path.	Power
74	3.3V	3.3V supply	Power
75	GND	Return current path.	Power

Table 22: Pin assignment PCI Express M.2 bus X200, CIFX M3042100BM

7 Technical data

7.1 PC card CIFX M3042100BM-DP\F

Category	Parameter	Value	
Part		Name	Part number
	PC card (basic card with AIFX-DP)	CIFX M3042100BM-DP\F	1456.401
	Basic card	CIFX M3042100BM	1456.100
	Function	Communication interface M.2 3042 key B+M, with PCI Express M.2 interface and PROFIBUS interface. The use refers to master and slave systems.	
Communication controller	Type	netX 100	
Integrated memory	RAM	8 MB SDRAM	
	Flash	4 MB serial Flash-EPROM	
	Size of the Dual-Port Memory	64 Kbyte	
System interface	Bus type	PCI Express M.2, one-lane port	
	Transmission rate	33 MHz	
	Data access	DPM or DMA (Direct Memory Access)	
	Dual-Port Memory (DPM) data access width	32-Bit	
PROFIBUS communication	Supported fieldbus communication systems (determined by the loaded firmware)	PROFIBUS DP Master, PROFIBUS DP Slave	
PROFIBUS interface	Transmission rate	9.6 kBit/s, 19.2 kBit/s, 31.25 kBit/s, 45.45 kBit/s, 93.75 kBit/s, 187.5 kBit/s, 500 kBit/s, 1.5 MBit/s, 3 MBit/s, 6 MBit/s, 12 MBit/s	
	Interface type	RS 485	
	Detached network interface PROFIBUS	AIFX-DP Important! Operating the PC card CIFX M3042100BM-DP\F requires proper connection of the detached network interface PROFIBUS AIFX-DP to the basic card.	
	Connection AIFX-DP	Cable connector fieldbus X701 (JST 10FMN-BMT-A-TF, 1.0 mm pitch)	
Diagnosis with LEDs	LEDs	SYS	System status
Power supply	Supply voltage	+3.3 VDC ±5%	
	Current consumption at 3.3 V	650 mA (maximum)	
	Connector	via PCI Express Bus M.2	
Environmental conditions	Operating temperature range*	-20 °C ... +65 °C	-20 °C ... +50 °C
	*Air flow, during measurement:	0.5 m/s	0.0 m/s
	Storage temperature range	-40 °C ... +85 °C	
	Humidity	10% ... 95% relative humidity, no condensation permitted	
	Environment	The device must be used only in a pollution degree 2 environment (or better).	

Category	Parameter	Value
Device	Dimensions (L x W x H)	42 x 30 x 7.0 mm
	Component heights	The component height on the top of the basic card CIFX M3042100BM exceeds the height of 1.5 mm specified by the standard, because the height of the cable connector fieldbus X701, including the cable, is approximately 8.5 mm above the circuit board. The component height on the bottom of the basic card CIFX M3042100BM complies with the standard specifications.
	Mounting/installation	PCI Express slot (3.3 V), for M.2 type 3042-D3, Dual key B-M (Socket 1 Connectivity)
EMC Compliance	CE sign	Yes
	UKCA sign	Yes
	Emission	DIN EN 61000-6-3/ BS EN 61000-6-3
	Immunity	DIN EN 61000-6-2/ BS EN 61000-6-2
	Documentation to prove the restriction of hazardous substances	EN 50581 / BS EN 50581
	RoHS	Yes
Configuration and download	Configuration software (including downloading and updating firmware and configuration)	SYCON.net for netX

Table 23: Technical data CIFX M3042100BM-DP\F

7.2 PCI identifier on the PCI Express M.2 bus

The PC card CIFX M3042100BM-DP\F is a multifunction device on the PCI Express M.2 bus and requires two PCI identifiers. The following identifiers apply:

PCI identifier	Value
Vendor ID	0x15CF
Device ID	0x0000
Subsystem vendor ID	0x0000
Subsystem device ID	0x0000

Table 24: PCI identifier on the PCI Express M.2 bus for CIFX M3042100BM

7.3 AIFX-DP

Category	Parameter	Value	
Part	Name	AIFX-DP	
	Part number	2800.400	
	Description	Detached network interface PROFIBUS for all netX 100-based devices.	
Interface PC card	Connector	Cable connector fieldbus X1 (JST 10FMN-SMT-A-TF, 1.0 mm pitch)	
PROFIBUS interface	Galvanic isolation	isolated	
	Isolation voltage	1000 VDC (tested for 1 minute)	
	Connector	SubD socket, 9-pin	
Diagnosis with LEDs	LEDs (on the reverse side of the device)	STA	LED error status (red)
		ERR	LED status (green)
Power supply	Connector	Cabel connector fieldbus X1	
Environmental conditions	Operating temperature range*	-20 °C ... +70 °C	-20 °C ... +60 °C
	*Air flow, during measurement	0.5 m/s	0.0 m/s
	Storage temperature range	-40 °C ... +85 °C	
	Humidity	10% ... 95% relative humidity, no condensation permitted	
	Environment	The device must be used only in a pollution degree 2 environment (or better).	
Device	Dimensions (L x W x H)	17 x 31 x 14.3 mm, front panel width = 18.5 mm	
	Mounting/installation	On the netX 100-based basic card: Cable connector fieldbus X701. Mounting on the housing of the PC or connecting device.	
EMC Compliance	CE sign	Yes	
	UKCA sign	Yes	
	Emission, Immunity	Tested together with the corresponding basic card.	
	RoHS	Yes	

Table 25: Technical data AIFX-DP

7.4 Communication protocols

7.4.1 PROFIBUS DP Master

Parameter	Value
Maximum number PROFIBUS DPV0/DPV1 slaves	125
Maximum number of total cyclic input data	5712 bytes
Maximum number of total cyclic output data	5760 bytes
Maximum number of cyclic input data	244 bytes per slave
Maximum number of cyclic output data	244 bytes per slave
Configuration data	Max. 244 bytes per slave
Parameter data per slave	7 bytes standard parameters per slave Max. 237 bytes/slave application specific parameters
Acyclic communication	DPV1 class 1: Read, write, alarm DPV1 class 2: Initiate, read, write, data transport, abort
Maximum number of acyclic data (read/write/data transport)	240 bytes per slave and telegram
Functions	Configuration in Run (CiR), requires support by the host application program
Redundancy	Supported. Requires support by the host application program.
Baud rate	9.6 kBits/s, 19.2 kBits/s, 31.25 kBits/s, 45.45 kBits/s, 93.75 kBits/s, 187.5 kBits/s, 500 kBits/s, 1.5 MBits/s, 3 MBits/s, 6 MBits/s, 12 MBit/s Automatic baud rate detection is not supported
Data transport layer	PROFIBUS FDL
Restrictions	DPV2 isochronous mode and slave-slave communication are not supported. The redundancy function cannot be used if the master is configured with 'packets' by the host application program.
Reference to firmware/stack version	V2.8

Table 26: Technical data PROFIBUS DP Master

7.4.2 PROFIBUS DP Slave

Parameter	Value
Maximum number of cyclic input data	244 bytes
Maximum number of cyclic output data	244 bytes
Maximum number of acyclic data (read/write)	240 bytes/telegram
Configuration data	Max. 244 bytes
Parameter data	237 bytes of application-specific parameters
Acyclic communication	DPV1 class 1: Read, write, alarm DPV1 class 2: Read, write, data transport
Baud rate	9.6 kBits/s, 19.2 kBits/s, 31.25 kBits/s, 45.45 kBits/s, 93.75 kBits/s, 187.5 kBits/s, 500 kBits/s, 1.5 MBits/s, 3 MBits/s, 6 MBits/s, 12 MBit/s Automatic baud rate detection is supported.
Data transport layer	PROFIBUS FDL
Restrictions	SSCY1S – Slave to slave communication state machine not implemented Data exchange broadcast not implemented I&M LR services other than ‚Call-REQ/RES‘ are not supported.
Reference to firmware/stack version	V2.11

Table 27: Technical data PROFIBUS DP Slave

8 Dimensions

8.1 Tolerances of PCB dimensions

The manufacturing tolerance of the PCB dimensions shown is ± 0.1 mm per milled PCB edge. For all indicated dimensions of the printed circuit board, a tolerance of ± 0.1 mm (per milled edge) $\times 2 = \pm 0.2$ mm results for the length L and for the width B respectively.

$B = [\text{width dimension of printed circuit board in mm}] \pm 0.2 \text{ mm}$

$L = [\text{Length dimension of the PCB in mm}] \text{ mm} \pm 0.2 \text{ mm}$

The depth T of the PCB depends on the highest component used or the PCB thickness plus the descenders. The thickness of the PCB is $= 0.8 \text{ mm} \pm 10 \%$.



Note:

The dimensions (L x W x H) given in the section *Technical data* [▶ page 32] (or the identical information in the product data sheet or on the Hilscher website) are rounded figures or the respective total measure (for example, including the front panel).

8.2 Dimensions CIFX M3042100BM

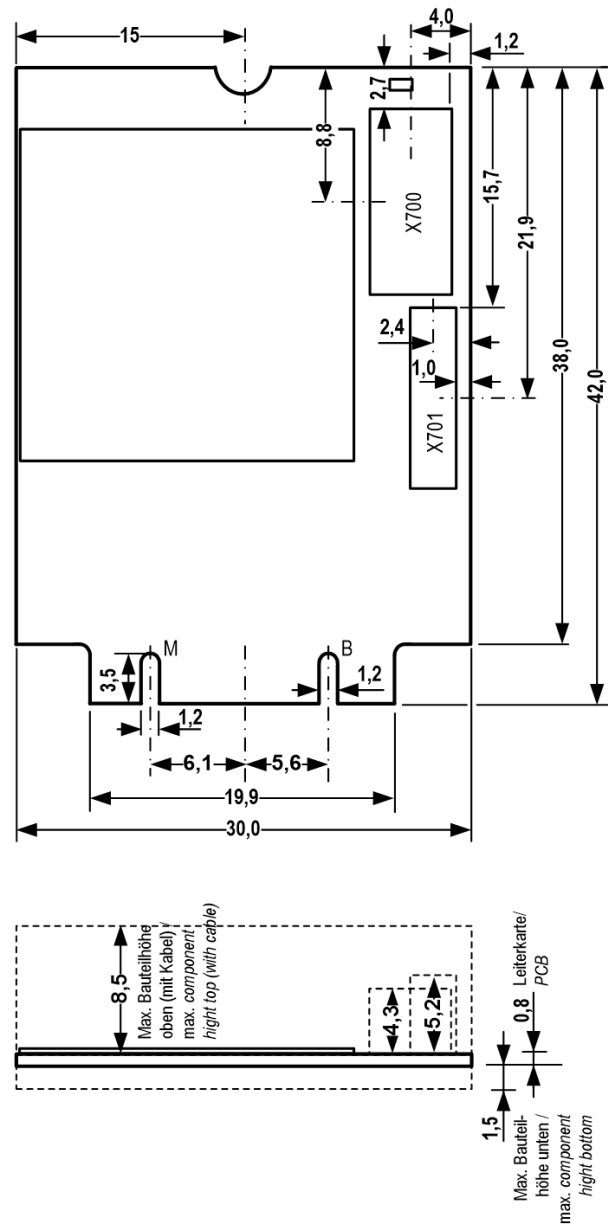


Figure 7: Dimensions CIFX M3042100BM



Note:

The height of the component on the top of the basic card M3042100BM does not meet the standard specifications. For more information, see section *System requirements* [▶ page 14].

8.3 Dimensions AIFX-DP

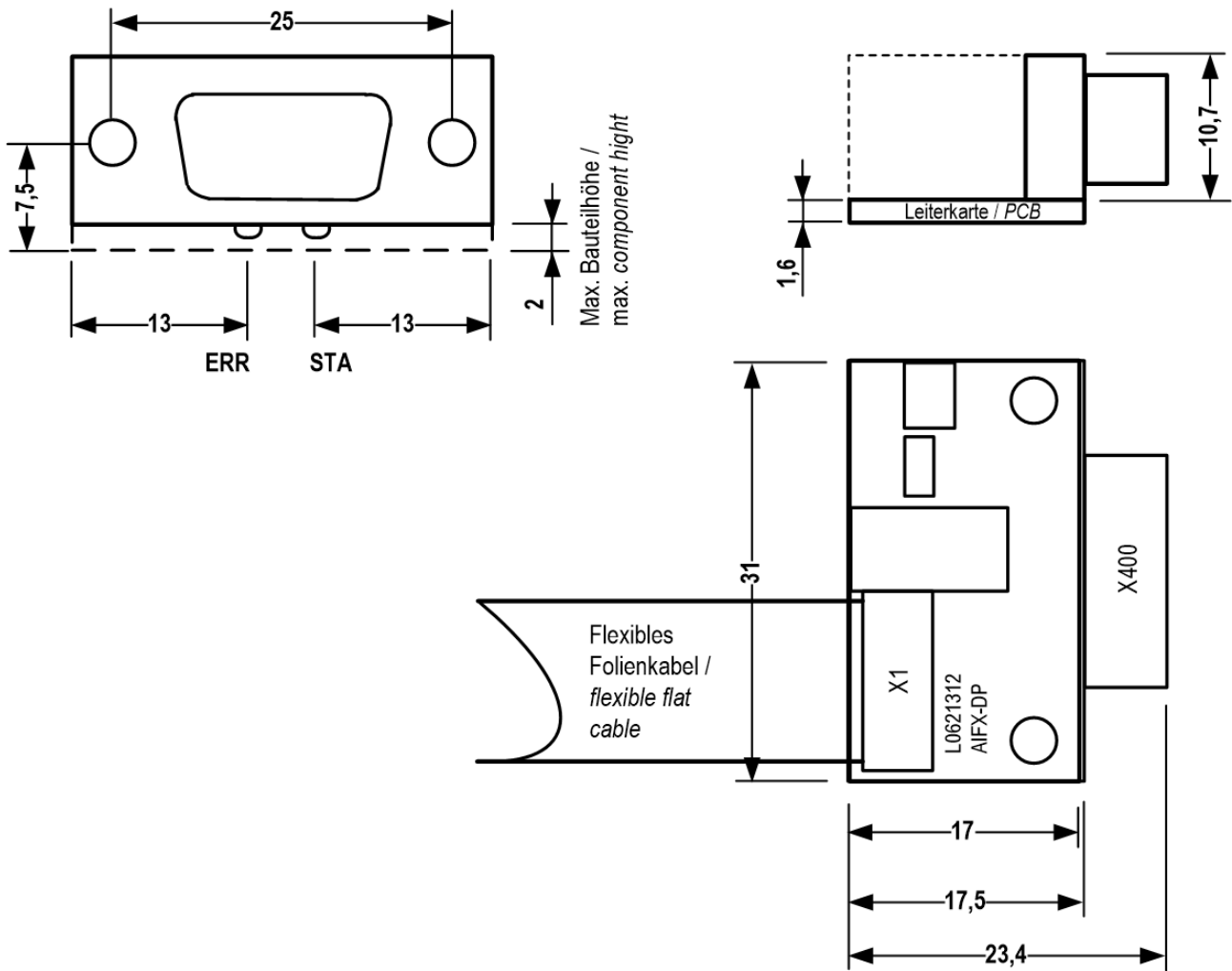


Figure 8: AIFX-DP (Revision 2)

9 Appendix

9.1 FCC compliance

Federal Communications Commission (FCC)

This device complies with part 15 of the FCC Rules. Operation is subject to the following two conditions:

1. This device may not cause harmful interference, and
2. This device must accept any interference received, including interference that may cause undesired operation.

Note: This equipment has been tested and found to comply with the limits for a Class A digital device, pursuant to part 15 of the FCC Rules. These limits are designed to provide reasonable protection against harmful interference when the equipment is operated in a commercial environment. This equipment generates, uses, and can radiate radio frequency energy and, if not installed and used in accordance with the instruction manual, may cause harmful interference to radio communications. Operation of this equipment in a residential area is likely to cause harmful interference in which case the user will be required to correct the interference at his own expense.

9.2 References

PCI Express M.2 specification

PCI-SIG (Special interest Group), PCI Express M.2 Specification, Revision 3.0, English, 2019-06

Protocol API Manuals

Hilscher Gesellschaft für Systemautomation mbH: Protocol API, PROFIBUS DP-Master V2.8.0, Revision 22, DOC061001API22EN, English, 2017-09.

Hilscher Gesellschaft für Systemautomation mbH: Protocol API, PROFIBUS DP-Slave V2.11.0, Revision 20, DOC050401API20EN, English, 2020-10.

Documentation on drivers and software

Hilscher Gesellschaft für Systemautomation mbH: Operation instruction manual, PC Cards CIFX M3042100BM-DP\F, Hardware Description and Installation, DOC210302UMxxEN, English, 2021-04.

Hilscher Gesellschaft für Systemautomation mbH: User manual, Installation of the software for PC cards cifX, Installing drivers and configuration software, DOC120207UMxxEN, English, 2017-04.

Hilscher Gesellschaft für Systemautomation mbH: Operation instruction manual, SYCON.net netFrame, Frame application, DOC040402OIxxEN, English, 2018-03.

Hilscher Gesellschaft für Systemautomation mbH: Operation instruction manual, netDevice und netProject, FDT-Container, DOC040401OIxxEN, English, 2018-03.

Hilscher Gesellschaft für Systemautomation mbH: Operation instruction manual, DTM for PROFIBUS DP Master devices, Configuration of Hilscher Master devices, DOC070401OIxxEN, English, 2018-04.

Hilscher Gesellschaft für Systemautomation mbH: Operation instruction manual, DTM for Hilscher-PROFIBUS DP-Slave-devices, Configuration of Hilscher-Slave-devices, DOC091001OIxxEN, English, 2020-01.

Hilscher Gesellschaft für Systemautomation mbH: Operation instruction manual, Generic DTM for PROFIBUS DP Slave devices, Configuration of PROFIBUS DP Slave devices, DOC031001OIxxEN, English, 2018-04.

Hilscher Gesellschaft für Systemautomation mbH: Operation instruction manual, cifX Device Driver, Installation and operation for Windows XP/ Vista/7/8/10, DOC060601OIxxEN, English, 2019-01.

Hilscher Gesellschaft für Systemautomation mbH: Dual-Port Memory Interface Manual, netX Dual-Port Memory Interface, DOC060302DPMxxEN, English, 2020-06.

Safety standards

American National Standards Institute, Inc.: American National Standard, Product Safety Information in Product Manuals, Instructions, and Other Collateral Materials, ANSI Z535.6-2016, English, 2016.

DIN Deutsches Institut für Normung e. v. and VDE Verband der Elektrotechnik Elektronik Informationstechnik e. V.: German standard, Equipment for audio/video, information and communication technology - Part 1: Safety requirements, (IEC 62368-1:2014, modified + Cor.:2015); English version EN 62368-1:2014 + AC:2015, English, 2016-05.

DIN Deutsches Institut für Normung e. v. and VDE Verband der Elektrotechnik Elektronik Informationstechnik e. V.: German standard, Electrostatics - Part 5-1: Protection of electronic components against electrostatic phenomena, General requirements, (IEC 61340-5-1:2016); English version EN 61340-5-1:2016, English, 2017-07.

DIN Deutsches Institut für Normung e. v. und VDE Verband der Elektrotechnik Elektronik Informationstechnik e. V.: German standard, Electrostatics - Part 5-2: Protection of electronic components against electrostatic phenomena, User manual, (IEC TR 61340-5-2:2018), DIN IEC/ TR 61340-5-2 (VDE V 0300-5-2), English, 2019-04.

9.3 Conventions in this manual

Instructions for action and results

1. Operate purpose
2. Operate purpose
 - Instructions for action
 - Intermediate result
 - ⇒ Final result

Signs and signal words









Sign	Description	Sign	Description
	General note		Important note that must be followed to prevent malfunctions
	Reference on further information (acc. to ISO 7010 M001)		Disconnect the power plug (acc. to ISO 7010 M006)
	Warning of Personal Injury and Property Damage Message (acc. to ISO 7010 W001) USA: Warning of Personal Injury As in the scope of the ANSI Z535 Standard (for USA) instructions to a property damage message may not contain a warning triangle, this property damage messages are listed separately for the USA.		
	Warning of hazardous voltage! (acc. to ISO 7010 W012) Danger to life, risk of injury by electric shock		
	USA: Warning of hazardous voltage! (acc. to ANSI Z535.4) Danger to life, risk of injury by electric shock		
	Warning of damage due to electrostatic discharge (acc. to IEC 60417-5134)		

Table 28: Signs

Signal word	Description
DANGER	Indicates a hazardous situation, which if not avoided, will result in death or serious injury.
WARNING	Indicates a hazardous situation, which if not avoided, could result in death or serious injury.
CAUTION	Indicates a hazardous situation, which if not avoided, may result in minor or moderate Injury.
NOTICE	Indicates a property damage message.

Table 29: Signal words

9.4 Legal notes

Copyright

© Hilscher Gesellschaft für Systemautomation mbH

All rights reserved.

The images, photographs and texts in the accompanying materials (in the form of a user's manual, operator's manual, Statement of Work document and all other document types, support texts, documentation, etc.) are protected by German and international copyright and by international trade and protective provisions. Without the prior written consent, you do not have permission to duplicate them either in full or in part using technical or mechanical methods (print, photocopy or any other method), to edit them using electronic systems or to transfer them. You are not permitted to make changes to copyright notices, markings, trademarks or ownership declarations. Illustrations are provided without taking the patent situation into account. Any company names and product designations provided in this document may be brands or trademarks by the corresponding owner and may be protected under trademark, brand or patent law. Any form of further use shall require the express consent from the relevant owner of the rights.

Important notes

Utmost care was/is given in the preparation of the documentation at hand consisting of a user's manual, operating manual and any other document type and accompanying texts. However, errors cannot be ruled out. Therefore, we cannot assume any guarantee or legal responsibility for erroneous information or liability of any kind. You are hereby made aware that descriptions found in the user's manual, the accompanying texts and the documentation neither represent a guarantee nor any indication on proper use as stipulated in the agreement or a promised attribute. It cannot be ruled out that the user's manual, the accompanying texts and the documentation do not completely match the described attributes, standards or any other data for the delivered product. A warranty or guarantee with respect to the correctness or accuracy of the information is not assumed.

We reserve the right to modify our products and the specifications for such as well as the corresponding documentation in the form of a user's manual, operating manual and/or any other document types and accompanying texts at any time and without notice without being required to notify of said modification. Changes shall be taken into account in future manuals and do not represent an obligation of any kind, in particular there shall be no right to have delivered documents revised. The manual delivered with the product shall apply.

Under no circumstances shall Hilscher Gesellschaft für Systemautomation mbH be liable for direct, indirect, ancillary or subsequent damage, or for any loss of income, which may arise after use of the information contained herein.

Liability disclaimer

The hardware and/or software was created and tested by Hilscher Gesellschaft für Systemautomation mbH with utmost care and is made available as is. No warranty can be assumed for the performance or flawlessness of the hardware and/or software under all application conditions and scenarios and the work results achieved by the user when using the hardware and/or software. Liability for any damage that may have occurred as a result of using the hardware and/or software or the corresponding documents shall be limited to an event involving willful intent or a grossly negligent violation of a fundamental contractual obligation. However, the right to assert damages due to a violation of a fundamental contractual obligation shall be limited to contract-typical foreseeable damage.

It is hereby expressly agreed upon in particular that any use or utilization of the hardware and/or software in connection with

- Flight control systems in aviation and aerospace;
- Nuclear fission processes in nuclear power plants;
- Medical devices used for life support and
- Vehicle control systems used in passenger transport

shall be excluded. Use of the hardware and/or software in any of the following areas is strictly prohibited:

- For military purposes or in weaponry;
- For designing, engineering, maintaining or operating nuclear systems;
- In flight safety systems, aviation and flight telecommunications systems;
- In life-support systems;
- In systems in which any malfunction in the hardware and/or software may result in physical injuries or fatalities.

You are hereby made aware that the hardware and/or software was not created for use in hazardous environments, which require fail-safe control mechanisms. Use of the hardware and/or software in this kind of environment shall be at your own risk; any liability for damage or loss due to impermissible use shall be excluded.

Warranty

Hilscher Gesellschaft für Systemautomation mbH hereby guarantees that the software shall run without errors in accordance with the requirements listed in the specifications and that there were no defects on the date of acceptance. The warranty period shall be 12 months commencing as of the date of acceptance or purchase (with express declaration or implied, by customer's conclusive behavior, e.g. putting into operation permanently).

The warranty obligation for equipment (hardware) we produce is 36 months, calculated as of the date of delivery ex works. The aforementioned provisions shall not apply if longer warranty periods are mandatory by law pursuant to Section 438 (1.2) BGB, Section 479 (1) BGB and Section 634a (1) BGB [Bürgerliches Gesetzbuch; German Civil Code] If, despite of all due care taken, the delivered product should have a defect, which already existed at the time of the transfer of risk, it shall be at our discretion to either repair the product or to deliver a replacement product, subject to timely notification of defect.

The warranty obligation shall not apply if the notification of defect is not asserted promptly, if the purchaser or third party has tampered with the products, if the defect is the result of natural wear, was caused by unfavorable operating conditions or is due to violations against our operating regulations or against rules of good electrical engineering practice, or if our request to return the defective object is not promptly complied with.

Costs of support, maintenance, customization and product care

Please be advised that any subsequent improvement shall only be free of charge if a defect is found. Any form of technical support, maintenance and customization is not a warranty service, but instead shall be charged extra.

Additional guarantees

Although the hardware and software was developed and tested in-depth with greatest care, Hilscher Gesellschaft für Systemautomation mbH shall not assume any guarantee for the suitability thereof for any purpose that was not confirmed in writing. No guarantee can be granted whereby the hardware and software satisfies your requirements, or the use of the hardware and/or software is uninterrupted or the hardware and/or software is fault-free.

It cannot be guaranteed that patents and/or ownership privileges have not been infringed upon or violated or that the products are free from third-party influence. No additional guarantees or promises shall be made as to whether the product is market current, free from deficiency in title, or can be integrated or is usable for specific purposes, unless such guarantees or promises are required under existing law and cannot be restricted.

Confidentiality

The customer hereby expressly acknowledges that this document contains trade secrets, information protected by copyright and other patent and ownership privileges as well as any related rights of Hilscher Gesellschaft für Systemautomation mbH. The customer agrees to treat as confidential all of the information made available to customer by Hilscher Gesellschaft für Systemautomation mbH and rights, which were disclosed by Hilscher Gesellschaft für Systemautomation mbH and that were made accessible as well as the terms and conditions of this agreement itself.

The parties hereby agree to one another that the information that each party receives from the other party respectively is and shall remain the intellectual property of said other party, unless provided for otherwise in a contractual agreement.

The customer must not allow any third party to become knowledgeable of this expertise and shall only provide knowledge thereof to authorized users as appropriate and necessary. Companies associated with the customer shall not be deemed third parties. The customer must obligate authorized users to confidentiality. The customer should only use the confidential information in connection with the performances specified in this agreement.

The customer must not use this confidential information to his own advantage or for his own purposes or rather to the advantage or for the purpose of a third party, nor must it be used for commercial purposes and this confidential information must only be used to the extent provided for in this agreement or otherwise to the extent as expressly authorized by the disclosing party in written form. The customer has the right, subject to the obligation to confidentiality, to disclose the terms and conditions of this agreement directly to his legal and financial consultants as would be required for the customer's normal business operation.

Export provisions

The delivered product (including technical data) is subject to the legal export and/or import laws as well as any associated regulations of various countries, especially such laws applicable in Germany and in the United States. The products / hardware / software must not be exported into such countries for which export is prohibited under US American export control laws and its supplementary provisions. You hereby agree to strictly follow the regulations and to yourself be responsible for observing them. You are hereby made aware that you may be required to obtain governmental approval to export, reexport or import the product.

9.5 Registered trademarks

Windows® 10 is a registered trademark of the Microsoft Corporation.

Adobe-Acrobat® is a registered trademark of the Adobe Systems Incorporated.

PROFIBUS® is a registered trademark of PROFIBUS & PROFINET International (PI), Karlsruhe.

PCI Express® and PCIe® are trademarks or registered trademarks of the Peripheral Component Interconnect Special Interest Group (PCI-SIG).

All other brands mentioned are property of their respective owner of the rights. Any company names and product designations provided in this document may be brands (company names or trademarks) of the corresponding owner and may be protected under trademark or patent law.

9.6 Licenses

Bei Verwendung der jeweiligen PC-Karte cifX als Slave, ist für die Firmware als auch für die Konfigurationssoftware SYCON.net keine Lizenz erforderlich.

Lizenzen sind notwendig, wenn die PC-Karte cifX mit

- einer Firmware mit Master-Funktionalität*.

verwendet wird.

* Die Master-Lizenz beinhaltet den Betrieb der PC-Karte cifX als Master sowie die Lizenz für die Konfigurationssoftware SYCON.net für das jeweilige cifX.

List of figures

Figure 1:	Basic card CIFX M3042100BM	6
Figure 2:	Detached network interface AIFX-DP (Revision 2)	7
Figure 3:	Example 2D label	9
Figure 4:	Connecting cable to the detached network interface fieldbus AIFX-DP	21
Figure 5:	Connecting cable to the basic card, example CIFX M3042100BM	21
Figure 6:	PROFIBUS interface (DSub socket connector, 9 pin), X201.....	28
Figure 7:	Dimensions CIFX M3042100BM	38
Figure 8:	AIFX-DP (Revision 2)	39

List of tables

Table 1:	List of revisions	4
Table 2:	PC card cifX	5
Table 3:	Meaning of the device name.....	5
Table 4:	Legend for the basic card CIFX M3042100BM.....	6
Table 5:	Legend for the detached network interface AIFX-DP	7
Table 6:	Hardware revisions	8
Table 7:	Versions for drivers and software	8
Table 8:	Firmware version and file names for permitted protocols	8
Table 9:	Host interface requirements.....	14
Table 10:	Panel cut-outs and holes for mounting AIFX	15
Table 11:	Requirements for operation	16
Table 12:	Overview for installation and firmware download	17
Table 13:	LEDs PROFIBUS DP	25
Table 14:	States of the SYS LED, netX 10/50/51/52/100/500-based devices.....	25
Table 15:	LED states for the PROFIBUS DP Master protocol.....	26
Table 16:	LED state definitions for the PROFIBUS DP Master protocol	26
Table 17:	LED states for the PROFIBUS DP Slave protocol.....	27
Table 18:	LED state definitions for the PROFIBUS DP Slave protocol	27
Table 19:	Pin assignment of the PROFIBUS interface, X201.....	28
Table 20:	Pin assignment for cable connector fieldbus X701 (10FMN-BMT-A-TF), on CIFX M3042100BM	28
Table 21:	Pin assignment for cable connector fieldbus X1, AIFX-DP.....	29
Table 22:	Pin assignment PCI Express M.2 bus X200, CIFX M3042100BM	30
Table 23:	Technical data CIFX M3042100BM-DP\F	32
Table 24:	PCI identifier on the PCI Express M.2 bus for CIFX M3042100BM.....	33
Table 25:	Technical data AIFX-DP	34
Table 26:	Technical data PROFIBUS DP Master	35
Table 27:	Technical data PROFIBUS DP Slave	36
Table 28:	Signs	43
Table 29:	Signal words	43

Glossary

CIFX M3042100BM	Communication interface in M.2 format and B+M key from Hilscher on the basis of the netX 100 communication controller
Master	Type of device that initiates and controls the communication on the bus
netX	networX on chip, Hilscher network communication controller. High integrated network controller with optimized system architecture for communication and maximum data transfer.
PROFIBUS	Process field bus: universal networking standard defined in IEC61158/IEC 61784
PROFIBUS DP	PROFIBUS Decentralized Peripherals
PROFIBUS DP Master	Device that initiates the data transfer on the bus and which is an active network node, that is authorized and able to send data without external request
PROFIBUS DP Slave	Peripheral device, such as a IO device or a drive respectively passive participant without bus access authorization, which may only acknowledge received messages or requested by a master, may transmit messages to this one
Slave	Type of device that is configured by the master and which then performs the communication

Contacts

HEADQUARTER

Germany

Hilscher Gesellschaft für
Systemautomation mbH
Rheinstraße 15
65795 Hattersheim
Phone: +49 (0) 6190 9907-0
Fax: +49 (0) 6190 9907-50
E-mail: info@hilscher.com

Support

Phone: +49 (0) 6190 9907-990
E-mail: hotline@hilscher.com

SUBSIDIARIES

China

Hilscher Systemautomation (Shanghai) Co. Ltd.
200010 Shanghai
Phone: +86 (0) 21-6355-5161
E-mail: info@hilscher.cn

Support

Phone: +86 (0) 21-6355-5161
E-mail: cn.support@hilscher.com

France

Hilscher France S.a.r.l.
69800 Saint Priest
Phone: +33 (0) 4 72 37 98 40
E-mail: info@hilscher.fr

Support

Phone: +33 (0) 4 72 37 98 40
E-mail: fr.support@hilscher.com

India

Hilscher India Pvt. Ltd.
Pune, Delhi, Mumbai, Bangalore
Phone: +91 8888 750 777
E-mail: info@hilscher.in

Support

Phone: +91 8108884011
E-mail: info@hilscher.in

Italy

Hilscher Italia S.r.l.
20090 Vimodrone (MI)
Phone: +39 02 25007068
E-mail: info@hilscher.it

Support

Phone: +39 02 25007068
E-mail: it.support@hilscher.com

Japan

Hilscher Japan KK
Tokyo, 160-0022
Phone: +81 (0) 3-5362-0521
E-mail: info@hilscher.jp

Support

Phone: +81 (0) 3-5362-0521
E-mail: jp.support@hilscher.com

Republic of Korea

Hilscher Korea Inc.
13494, Seongnam, Gyeonggi
Phone: +82 (0) 31-739-8361
E-mail: info@hilscher.kr

Support

Phone: +82 (0) 31-739-8363
E-mail: kr.support@hilscher.com

Austria

Hilscher Austria GmbH
4020 Linz
Phone: +43 732 931 675-0
E-mail: sales.at@hilscher.com

Support

Phone: +43 732 931 675-0
E-mail: at.support@hilscher.com

Switzerland

Hilscher Swiss GmbH
4500 Solothurn
Phone: +41 (0) 32 623 6633
E-mail: info@hilscher.ch

Support

Phone: +41 (0) 32 623 6633
E-mail: support.swiss@hilscher.com

USA

Hilscher North America, Inc.
Lisle, IL 60532
Phone: +1 630-505-5301
E-mail: info@hilscher.us

Support

Phone: +1 630-505-5301
E-mail: us.support@hilscher.com